



# OUTLINE DIMENSIONS

MOTOR TYPE:  
AEUH8P-XXX

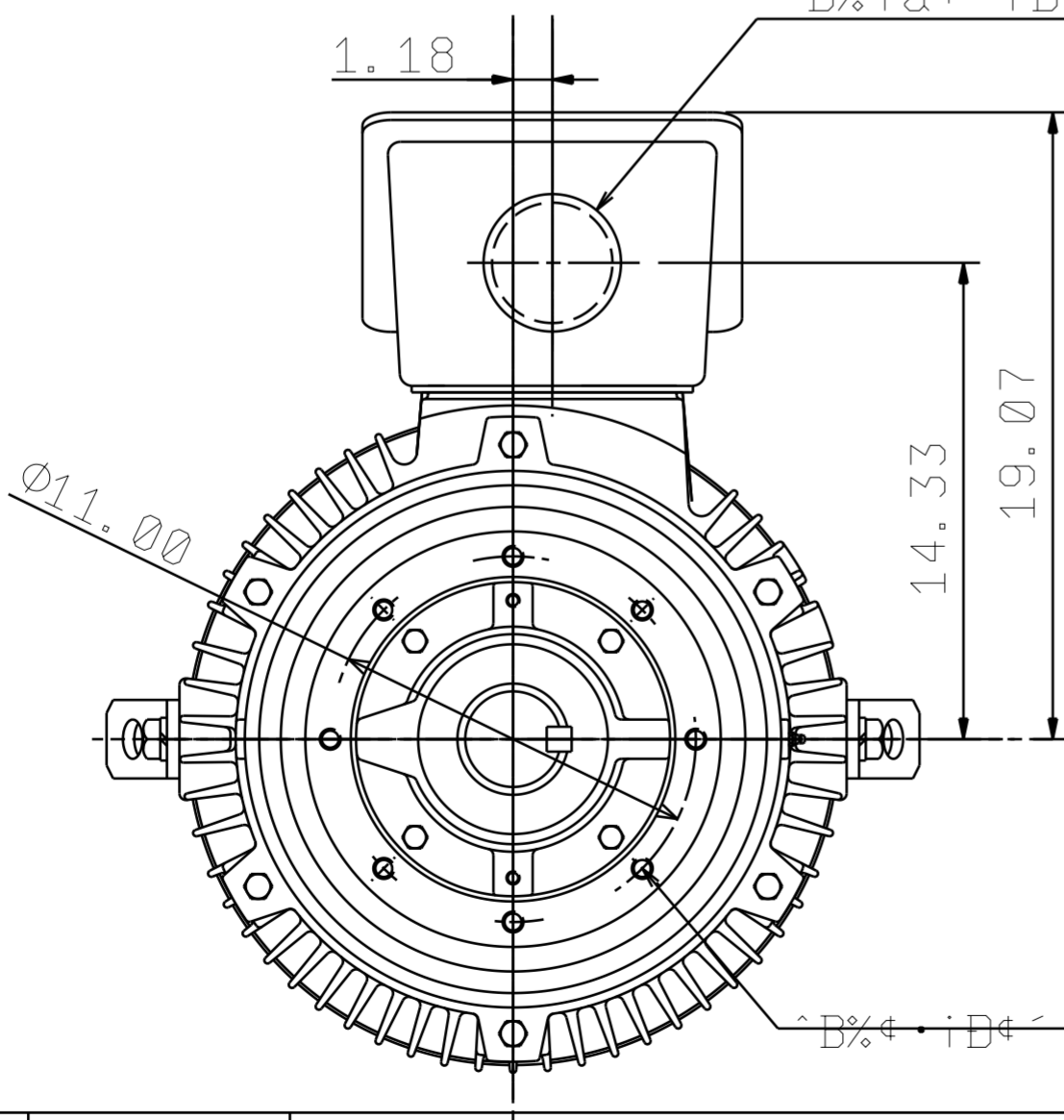
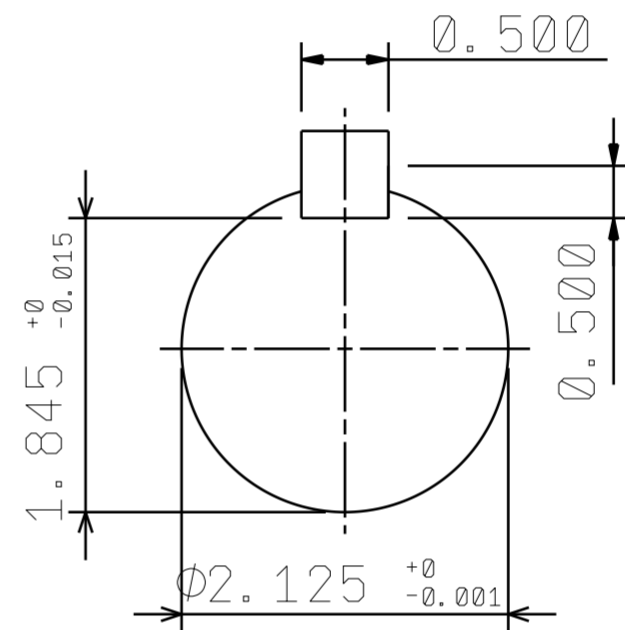
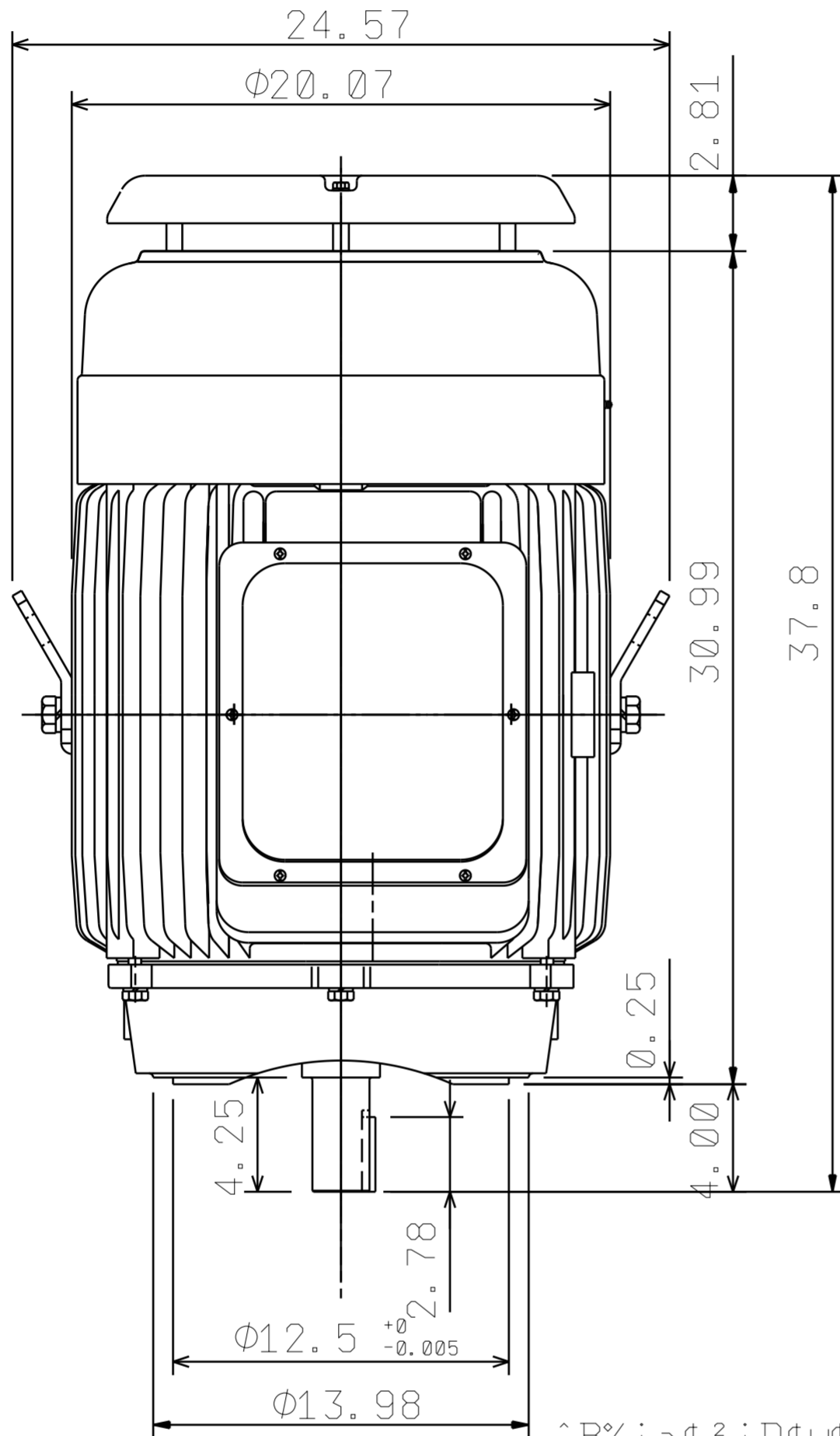
DATE

## 3-PHASE INDUCTION MOTOR

FRAME NO. 405TSC

Pole	HP	kW	Hz	VOLT	r/min
2	100	74.6	60	230/460	3600
Ins	Rating	Dimension in	Approx Weight	Bearings	
F	CONT.	inches		DE: 6313C3 NDE: 6313C3	

Totally Enclosed Fan-Cooled Vertical Type. Squirrel-cage Rotor.



TA17142-00-01



DWG.	^ B%\$00VAM
CHKD.	^ B%R041817.
APPD.	^ B%R041817.

**東元電機股份有限公司**  
**TECO Electric & Machinery Co., Ltd.**  
 TAIWAN

DWG NO.  
**31057A693090**